



GRAB-N-DRIVE



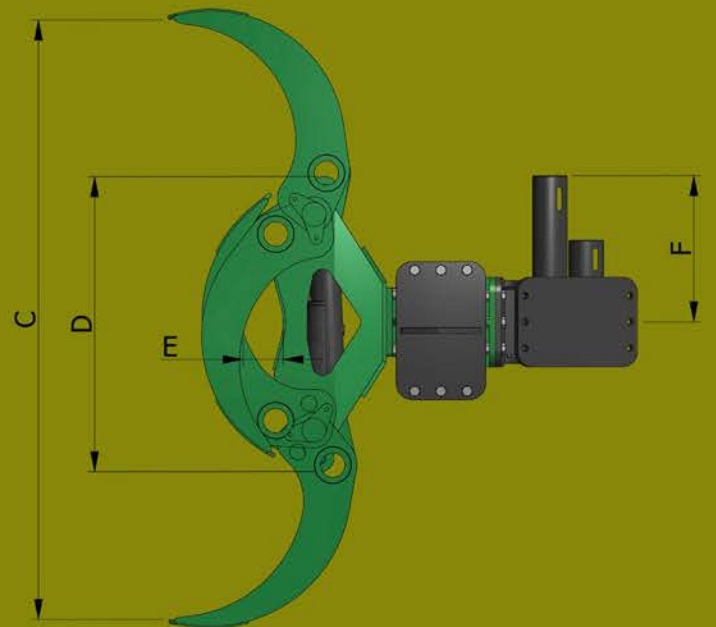
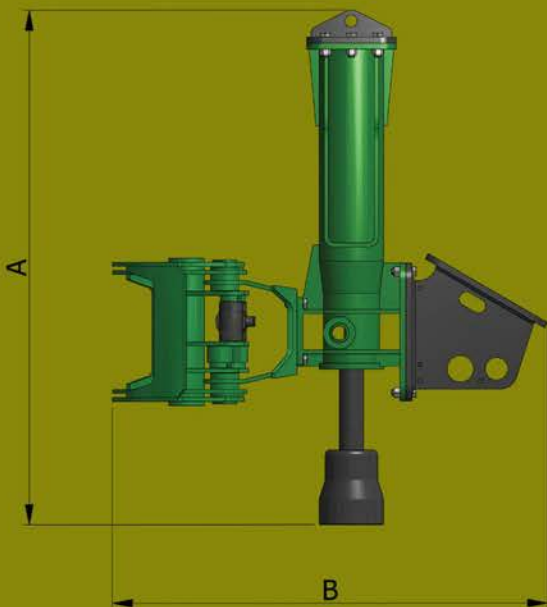
GRAB-N-DRIVE
A real driving force



MANUFACTURING CAPABILITY COMES ATTACHED



	GD10S	GD20S	GD30S	GD40S
Carrier weight (t)	1.8 - 3	2.5 - 5	4.5 - 9	7.5 - 14
Weight (kg)	250	305	325	420
Oil Flow (l/m)	14 -30	25 - 40	30 - 45	45 - 65
Oil Pressure (bar)	120	90	110	110
Impact Rate (bpm)	650 - 1100	650 - 1150	700 - 1250	550 - 1200
Impact Energy (joules)	260	550	680	850
Tool Diameter (mm)	40	45	53	65
Dim "A" (mm)	1180	1180	1300	1450
Dim "B" (mm)	920	940	990	1080
Dim "C" (mm)	1250	1250	1250	1250
Dim "D" (mm)	660	660	660	660
Dim "E" (mm)	80	80	80	80
Dim "F" (mm)	310	350	360	400



GRAB-N-DRIVE

POST DRIVING MADE EASY

- 'Plug and Play' on standard excavators, backhoes, loaders.
- One person can handle and drive posts safely.
- Low weight – High power.
- Range of tool options for different applications.
- Depth and verticality gauge.
- Tilt option.
- Designed and manufactured in the UK.
- CE Certificated.



GRAB-N-DRIVE

A REAL DRIVING FORCE

GRAB-N-DRIVE
SIMPLE AND SAFE POST DRIVING

Compact and light weight.

Tool options for different applications.

Visual reference system for verticality
and depth.

Spare tool stowage.

Tilt options.



Exac-One Ltd

The Mount Buildings

Tunnel Hill

Upton on Severn

Worcestershire

UK

WR8 0QL

+44 (0)1684 593052

www.exac-one.co.uk
info@exac-one.co.uk